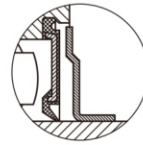
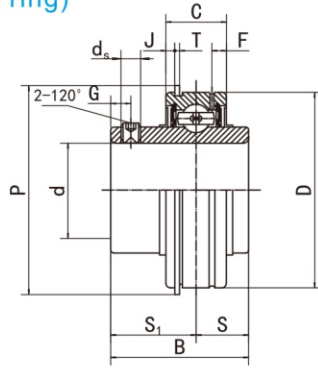


Ball Bearings
 (with locating snap ring)



SL Dual seal
(Standard)



L₃ Triple-lip seal
(Optional)



F seal
(Optional)

Bearing NO.	Dimensions (mm / in.)												Dynamic load ratings (N)	Static load ratings (N)	Weight (kg)			
	d	D	B	C	S	S ₁	T	F	J	P	G	d _s						
SER201 201-8	12 1/2																	0.22
SER202 202-10	15 5/8	1.8504	1.2205	0.6260	0.406	0.815	0.044	0.150	0.097	2.075	0.189	1/4-28UNF	12800	6600			0.22	
SER203	17																	0.22
SER204 204-12	20 3/4	1.8504	1.2205	0.6260	0.406	0.815	0.044	0.150	0.097	2.075	0.189	1/4-28UNF	12800	6600			0.17	
SER205 205-13 205-14 205-15 205-16	25 13/16 7/8 15/16 1	2.0472	1.3740	0.7480	0.516	0.858	0.044	0.205	0.097	2.280	0.197	1/4-28UNF	14000	7850			0.21	
SER206 206-17 206-18 206-19 206-20	30 1-1/16 1-1/8 1-3/16 1-1/4	2.4409	1.5000	0.8740	0.626	0.874	0.067	0.220	0.129	2.665	0.197	1/4-28UNF	19450	11250			0.33	
SER207 207-20 207-21 207-22 207-23	35 1-1/4 1-5/16 1-3/8 1-7/16	2.8346	1.6890	0.9370	0.689	1.000	0.067	0.220	0.129	3.094	0.264	5/16-24UNF	25700	15200			0.50	
SER208 208-24 208-25	40 1-1/2 1-9/16	3.1496	1.9370	1.0945	0.748	1.189	0.067	0.252	0.129	3.409	0.315	5/16-24UNF	29500	18100			0.70	
SER209 209-26 209-27 209-28	45 1-5/8 1-11/16 1-3/4	3.3465	1.9370	1.0945	0.748	1.189	0.067	0.252	0.129	3.606	0.315	5/16-24UNF	32700	20900			0.72	
SER210 210-29 210-30 210-31 210-32	50 1-13/16 1-7/8 1-15/16 2	3.5433	2.0315	1.1260	0.748	1.283	0.097	0.295	0.129	3.799	0.394	3/8-24UNF	35000	23200			0.83	
SER211 211-32 211-33 211-34 211-35	55 2 2-1/16 2-1/8 2-3/16	3.9370	2.1890	1.1890	0.874	1.315	0.097	0.295	0.129	4.193	0.394	3/8-24UNF	43300	29200			1.10	
SER212 212-36 212-37 212-38 212-39	60 2-1/4 2-5/16 2-3/8 2-7/16	4.3307	2.5630	1.2520	1.000	1.563	0.097	0.295	0.129	4.591	0.394	3/8-24UNF	47700	32800			1.53	